



CUDA[®]

SURGICAL

ELITE 9000 LED Headlight System Operation Manual LLS-9000



ST Technologies[®]
6018 Bowdendale Avenue
Jacksonville, FL 32216 USA

Customer Service: 904 208 2291
Toll Free 877 814 2237



RMS UK, Ltd.
28 Trinity Road
Nailsea, Somerset BS48 4NU
United Kingdom
TEL: 01275 858891

TABLE OF CONTENTS

1. INTENDED USE
2. GENERAL WARNINGS
3. ASSEMBLY
4. MAINTENANCE
5. CLEANING
6. DESKTOP SMART CHARGER AND CALIBRATOR
7. REPLACEMENT PARTS
8. USER SERVICE
9. WARRANTY AND REPAIR
10. END OF PRODUCT LIFE
11. CHART OF MEDICAL DEVICE SYMBOLS USED

1. INTENDED USE

This LED ELITE 9000 Headlight system is designed to deliver illumination from a high intensity LED for surgical site illumination.

Congratulations on the purchase of your new LED Headlight system.

The LED Headlight ELITE 9000 is a battery powered portable headlight with an adjustable spot and uses encrypted battery technology that requires the use of approved batteries obtained from the manufacturer or authorized distributors.

Additionally, a low battery alarm is offered in this system and will beep when power is low. Decreasing the output may extend battery life and therefore the amount of warning time before power down. This alarm is a convenience and the user should plan for backup lighting for any application using this system; see General Warnings.

2. GENERAL WARNINGS



Note:

You must charge the batteries fully before using the headlight for the first time.

The user of this product should be thoroughly familiar with the use and care of this product.

The user should carefully study the manual before making any attempt to use this product clinically.

Before each procedure, carefully check the batteries state of charge (Fuel Gauge) to assure optimal duration for the procedure.

LED High Intensity Light sources using high intensity LEDs that will produce some heat as well as light. The high output of such LEDs can cause the headlamp to feel warm to the touch during operation, this is normal.

The battery charger and the battery chargers power supply are not to be used in the operating room theater or the patient area.

Use care not to point the light directly at the eyes during operation, the brilliant light can cause severe eye discomfort.

Users are responsible for providing backup lighting systems for your application when using this device.

3. ASSEMBLING THE HEADLIGHT SYSTEM

Before continuing remove the protective lens cap.

Insert a fully charged encrypted battery into the Battery Holster and ensure it is fully seated down on the connector at the bottom of the battery cavity.

Should a non-encrypted battery be installed, two beeps will be heard upon insertion indicating that an incorrect battery is being used and the unit will not power up. Insert an encrypted battery and the unit will power up.

To attach the power cable from the LED Module to the Battery Holster, insert the push-pull quick connector of the LED Module into the receptacle on the lead from the Battery Holster until it clicks in place as shown here. This connection will not come off when positively engaged. You can rotate the connectors to find the keyway and then press together and not damage the pins.



The On/Off switch is also the LED intensity control. Simply rotate the knob clockwise or counter-clockwise to produce the desired light output.

The headlight has an iris to allow adjustment of the beam spot diameter. Rotate the fluted iris adjustment ring on the headlight clockwise or counterclockwise for the appropriate spot diameter.

The battery holster is worn on a belt; on the rear side of the holster is a metal belt clip that slips over and secures to a belt. The power cable secures into the cable clips on the side and rear of the headband.

To remove the LED Module from the Battery Holster, press the small raised button on the quick disconnect device located between the LED Module and the Battery Holster and pull straight out without twisting.



Next, place the headband on your head; you can make size adjustments by turning the knob on the rear of the headband until it feels comfortable. For more comfort you can adjust the cross band.

Once the headlight module and cable are connected, the unit is ready for use. The system comes with gown clips to relieve the weight of the cable from the headband. One gown clip is attached below the shoulder.

Once the battery is depleted into the last shown “block” on the power gauge, the unit may beep once to indicate low battery levels. The unit may beep twice to indicate further reductions in power before shut-down.

4. MAINTENANCE

Storing the headlight system in a safe place will prolong the life of the unit. The following guidelines will help in sustaining the headlight system useful life:

- Keep the optical faces of the LED Headlight lens from touching hard surfaces, which may cause scratches on the surface. Scratches on the surface will diminish the light output. Using the lens cap during transport will help protect the lens.

5. CLEANING

The headlight module can be wiped down with alcohol. The lens should be cleaned only with lens tissue, available in any camera store; follow the directions on the package.

Follow all applicable bloodborne pathogen procedures as required by OSHA and/or your hospital, when cleaning and disinfecting the product.

The headband can be cleaned with a alcohol wipe down or washed with a lukewarm solution of water and mild detergent. Rinse thoroughly.



Do not autoclave the LED Headlight module, headband, cable, battery or battery holster.

6. DESKTOP SMART CHARGER AND CALIBRATOR

What charger components are in the carrying bag?

1. One CH5000 desktop charger/calibrator
2. One 24V 2.5A DC power supply with universal mains input.
3. One of these main power cables.
 - North American chargers (CH5000A) are packed with a US 3-pin mains cord
 - European chargers (CH5000E) are packed with a European 2-pin mains cord
 - UK chargers (CH5000U) are packed with a UK 3-pin mains cord

Safety

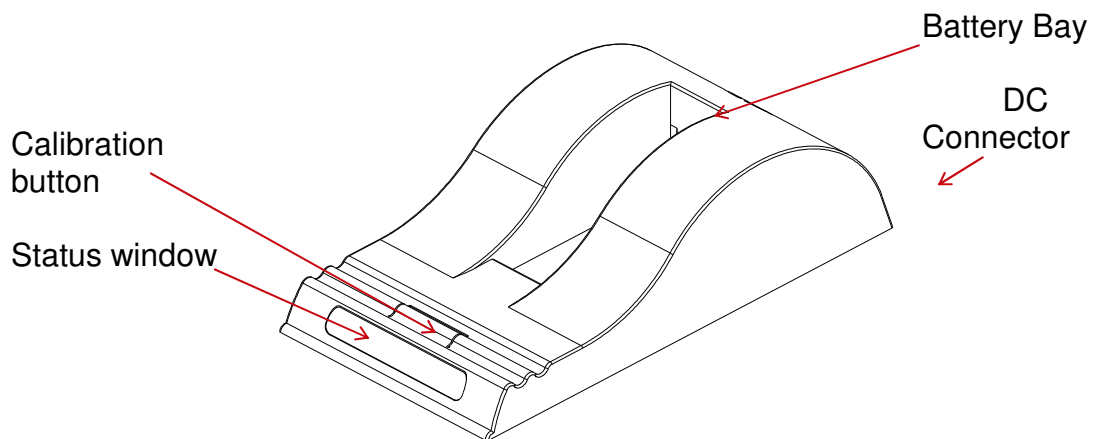
1. Do not expose the charger or power supply to water or liquids; this is not a sealed case.
2. Do not open the charger or power supply case, no user serviceable parts are inside.
3. Do not cover the fan exhaust or obstruct the airflow, this will cause overheating.
4. Use only the manufacturer's power supply and observe terminal polarity.
5. Place the charger in a cool spot, away from external heat sources



During recalibration the charger may become warm.

Using your Charger

Place the charger on a flat, level surface away from sources of heat and moisture. Plug the DC connector from the power supply into the back of the charger and connect the power supply to the mains AC supply using the cable supplied.



Charging

Place the battery into the battery bay ensuring that the 5-way connector is fully seated. The LEDs in the status window will provide status information and the charger will automatically begin charging.

LED Indication:

The status of the battery is indicated by the LEDs visible in the status window:

* Green flashing:	Battery charging
● Green solid:	Battery fully charged
* Blue flashing:	Battery in calibration mode
● Blue solid:	Battery fuel gauge calibrated
* Red flashing:	Battery fuel gauge in need of recalibration
● Red solid:	Error

Recharge Time

The ND2054 battery requires up to 3.5 hours to recharge a fully depleted battery.

Recalibration Time

Recalibration consists of a calibration charge, followed by a calibration discharge. Finally the battery is given a regular charge. A calibration cycle will be faster if the battery is fully charged to begin with. Recalibration time is governed by the battery voltage and capacity. Larger batteries will take longer to recalibrate. Calibration is initiated each time the button is pressed, so it is not recommended to press the recalibration button part way through the recalibration cycle.

What are the SMBus and the SBS?

The Smart Battery System defines the parameters that are stored by an SBS-compliant battery. These parameters include full battery status and fuel gauging information. The System Management Bus is the language by which these parameters are communicated between the battery, the charger and the host device.

How does the charger know what charge to deliver?

The CH5000 charger is capable of sensing and delivering an appropriate charge. Upon inserting the battery into the charger, the battery communicates to the charger over the SMBus telling the charger what type of cell chemistry it is and what type of charge regime it needs. The CH5000 then configures its output to provide the charge regime requested by the battery. If no SMBus communications are issued from the battery, the charger interrogates the thermistor/resistor I.D. pin on the battery terminal and delivers an appropriate charge.

FUEL GAUGE AND RECALIBRATION:

Fuel Gauge Operation

You may receive one of two different batteries with your LED headlight system. The main difference between these two battery packs is the location and the function of the battery gauge.

On one battery type (shown below), the LCD fuel gauge employs a 'five' segment LCD. Each segment represents approximately 20% of the batteries remaining capacity. Each

segment of a fully charged battery represents approximately 30 minutes of run time. For this battery, the LCD Fuel Gauge is located at the same end of the battery as the pull tab and requires no actions to view it.



On the other battery type (example shown below), the LED fuel gauge employs a 'four' segment LED. Each segment represents approximately 25% of the batteries remaining capacity. Each segment of a fully charged battery represents approximately 37.5 minutes of run time. For this battery, the LED fuel gauge is located on the front of the battery and the user is required to press the small circular button next to the gauge to determine remaining battery life, which is represented by green LEDs.



“Real-Life” applications rarely fully discharge a battery pack. Frequent partial discharges are not a problem to your smart battery, however after repeated use in this way, the accuracy of the fuel gauge may be reduced.

The smart battery has a built-in monitoring system which checks the accuracy of the fuel gauge, based on the discharge history of the battery. This history is broadcast over the SMBus and can be used by the host device to inform the user when to recalibrate the electronic fuel gauge.

Recalibration

Recalibration of the electronics is achieved by fully recharging the battery followed by a full discharge. Depending on the storage history of the battery pack, the smart battery may require calibration when brand new.

If fuel gauge recalibration is needed, the red LED on a calibrating charger will flash upon insertion of the battery. This provides feedback on the accuracy of the fuel gauge and avoids unnecessary calibration cycles.

The user can either calibrate the fuel gauge and charge the battery, or just charge the battery.

Calibration takes longer than charging and it may not be convenient to go through the calibration cycle.

To recalibrate the fuel gauge, press the button on the front of the charger.

The charger will automatically begin to charge the battery if the button is not pressed.

The blue LED will flash to indicate that the battery is undergoing the recalibration cycle.

During calibration the discharge resistors will be cooled by the fan. Removing the battery, or pressing the calibration button again will re-start the process from the beginning.

At the end of this procedure the blue LED will stay constant indicating a fully calibrated fuel gauge. Warm environments can cause calibration failure - keep the charger away from direct sunlight or heat sources.

7. REPLACEMENT PARTS

For replacement parts, additional or optional equipment :
Please call Customer Service @ 877-677-2832

8. USER SERVICE

The LED Headlight has no user or field serviceable components. It can only be serviced at the factory by factory trained technicians.

9. LIMITED WARRANTY

Your LED Headlight and battery holster carry a three year warranty from the date of shipment on workmanship and all defects of material.

Your batteries and charger carry a one year warranty from the date of shipment on workmanship and all defects of material. Should your product prove to have such defects **ST Technologies** will repair or replace the product or component part without charge. Please contact **ST Technologies** for return authorization documentation.

You should carefully pack unit in a sturdy carton and ship it to the factory. Please include a note describing the defects, your name, telephone number and a return address. Warranty does not cover equipment subject to misuse, accidental damage, normal wear and tear or if transferred to a new owner without authorization from **ST Technologies**. This warranty gives you specific legal rights and you may also have other rights that vary from state to state.

POST WARRANTY REPAIRS: You may return your product(s) for repair, shipping prepaid to the factory. Your product will be inspected and an estimate of repair charges will be submitted to you for approval. Payment must be received before repairs are completed.

- In the U.S call: 877 814-2237 (toll free)
- Customer Service 904 208-2291

10. END OF PRODUCT LIFE






In accordance with the European Waste from Electrical and Electronic Equipment (WEEE) directive, we encourage our customers to recycle this product whenever possible. Disposal of this unit must be performed in accordance with the applicable local environmental regulations.

In the US a list of recyclers in your area can be found at: <http://www.eiae.org/>.

Please contact customer service to issue a return authorization to return product to manufacturer at the end of product life.



11. CHART OF MEDICAL DEVICE SYMBOLS USED

	CE mark
	Manufacturer
	"Authorized Representative in the European Community."
	Caution, consult accompanying documents
	Do not dispose of in ordinary municipal waste, Recycle.



CUDA[®]

SURGICAL

ELITE 9000

Systeme de lampe frontale chirurgicale

Headlight à LED

Guide de l'utilisateur

LLS-9000



ST Technologies[®]
6018 Bowdendale Avenue
Jacksonville, FL 32216 USA

S.A.V. : +1 904 208 2291
Numéro vert (États-Unis) + 1 877 814 2237



RMS UK, Ltd.
28 Trinity Road
Nailsea, Somerset BS48 4NU
Royaume-Uni
TÉL. : +44 (0)1275 858891

TABLE DES MATIÈRES

1. UTILISATION PRÉVUE
2. INSTRUCTIONS GÉNÉRALES DE SÉCURITÉ
3. MONTAGE
4. ENTRETIEN
5. NETTOYAGE
6. CHARGEUR DE BUREAU INTELLIGENT ET CALIBREUR
7. PIÈCES DE RECHANGE
8. SERVICE À LA CLIENTÈLE
9. GARANTIE ET RÉPARATIONS
10. FIN DE VIE DU PRODUIT
11. TABLEAU DES SYMBOLES DES ÉQUIPEMENTS MÉDICAUX UTILISÉS

1. UTILISATION PRÉVUE

Ce système de lampe frontale chirurgicale Headlight ELITE 9000 à LED est conçu pour fournir la lumière d'une DEL à haute intensité pour éclairer un site chirurgical.

Félicitations pour l'achat de votre nouveau système Headlight à LED.

Le Headlight ELITE 9000 à LED est une lampe frontale portable à batterie avec point réglable qui utilise une technologie de batterie cryptée nécessitant l'utilisation de batteries approuvées auprès du fabricant ou des revendeurs agréés.

De plus, ce système est équipé d'une alarme de faible niveau de batterie qui retentit lorsque le niveau d'énergie est faible. Diminuer la sortie peut prolonger la durée de vie de la batterie et, par conséquent, le délai d'avertissement avant la mise hors tension. Cette alarme est pratique et l'utilisateur doit prévoir un éclairage de secours pour toute application utilisant ce système ; reportez-vous au chapitre Instructions générales de sécurité.



2. INSTRUCTIONS GÉNÉRALES DE SÉCURITÉ

Remarque :

Vous devez charger complètement les batteries avant d'utiliser la lampe frontale pour la première fois.

L'utilisateur doit être familiarisé au mieux avec l'emploi et l'entretien du dispositif à lampe frontale.

Veillez lire ce mode d'emploi attentivement et intégralement avant d'utiliser cet appareil à des fins cliniques.

Avant chaque intervention, vérifiez soigneusement l'état de charge des batteries (indicateur du niveau de charge) pour garantir la durée optimale de l'intervention.

Sources lumineuses LED à haute intensité utilisant des LED à haute intensité qui produisent un peu de chaleur et de la lumière. La haute intensité de ces LED peut provoquer une sensation de chaleur au toucher de la lampe, ce qui est normal.

Le chargeur de batterie et l'alimentation du chargeur ne doivent pas être utilisés au bloc opératoire ou sur des zones de contact avec les patients.

Veillez à ce que la lampe ne brille pas directement dans les yeux de qui que ce soit au cours de l'opération : la lumière brillante peut provoquer une forte irritation des yeux.

Les utilisateurs sont responsables de fournir des systèmes d'appoint pour l'application lorsque vous utilisez cette lampe.

3. MONTAGE DU DISPOSITIF À LAMPE FRONTALE

Avant de continuer, retirez le capuchon de protection de la lentille.

Insérez une batterie cryptée complètement chargée dans le boîtier et assurez-vous qu'elle est bien insérée dans le raccord au fond de la cavité de la batterie.

Si une batterie non cryptée est utilisée, deux tonalités seront émises lors de l'insertion indiquant l'utilisation d'une batterie incorrecte et l'unité ne fonctionnera pas. Insérez une batterie cryptée et l'unité fonctionnera.

Pour raccorder le câble d'alimentation du module à LED au porte-batterie, insérez le raccord rapide « pousser-tirer » du module à LED dans le raccord du câble du boîtier jusqu'à ce qu'il clique en position comme montré ici. Ce branchement ne se déconnecte pas quand il est bien raccordé. Vous pouvez tourner les raccords pour trouver la rainure puis appuyer et ne pas endommager les goupilles.



L'interrupteur Marche/Arrêt est aussi le contrôleur d'intensité de la LED. Tournez simplement la molette vers la droite ou vers la gauche pour produire l'intensité lumineuse dont vous avez besoin.

La lampe frontale est pourvue d'un iris afin de permettre le réglage du diamètre du point de focalisation. Tournez vers la droite ou vers la gauche la bague de réglage cannelée de l'iris de la lampe frontale pour obtenir le diamètre de point approprié.

Le boîtier se porte sur une ceinture ; à l'arrière du boîtier se trouve un mousqueton métallique qui s'attache à une ceinture. Le câble d'alimentation se loge dans les serre-câbles sur le côté et à l'arrière du support de tête

Pour retirer le module LED du boîtier, appuyez sur le petit bouton saillant situé sur le dispositif de débranchement rapide entre le module LED et le boîtier et en tirant dessus sans tourner.



Mettez maintenant le support de tête sur votre tête et adaptez-le à votre tête en tournant le bouton situé à l'arrière jusqu'à ce qu'il tienne confortablement en place. Pour davantage de confort encore, vous pouvez adapter également la bande transversale.

Quand le module de la lampe frontale et le câble sont raccordés, le module est prêt à l'emploi.

Le système comprend en outre des clips de fixation pour les vêtements qui empêchent l'ensemble du poids du câble de porter sur le support de tête. Un clip de fixation se trouve en dessous de l'épaule.

Une fois la cellule vidée jusqu'au dernier segment visible sur l'indicateur de niveau de charge, le module peut sonner une fois pour indiquer le faible niveau de charge de la batterie. Le module peut sonner deux fois pour indiquer une baisse supplémentaire de charge avant de s'éteindre.

4. ENTRETIEN

Veillez conserver le dispositif à lampe frontale en lieu sûr pour en garantir la longévité. Veillez tenir compte des instructions suivantes afin que votre lampe frontale puisse fonctionner correctement aussi longtemps que possible :

- Éloignez les surfaces optiques de la lentille du système Headlight à LED de tout contact avec des surfaces dures. Ceci pourrait en rayer la surface, et de telles rayures influent négativement sur l'éclairage. Remettez le capuchon pour protéger la lentille lors du transport.

5. NETTOYAGE

Le module de lampe frontale peut être nettoyé à l'alcool. La lentille ne doit être nettoyée qu'avec un chiffon en microfibre disponible dans n'importe quel magasin spécialisé dans la photographie. Suivez le mode d'emploi du chiffon de nettoyage.

Pour le nettoyage, la désinfection et la stérilisation, suivez la procédure standard prescrite par l'OSHA ou votre hôpital afin d'éviter les infections transmissibles par le sang.

Nettoyez le support de tête avec un chiffon de nettoyage imbibé d'alcool ou une lessive tiède constituée d'eau et d'un savon doux. Bien rincer.



Le module Headlight à LED, le serre-tête, le câble ou le boîtier ne doivent pas être stérilisés à haute pression.

6. CHARGEUR DE BUREAU INTELLIGENT ET CALIBREUR

Quelles sont les composantes du chargeur contenues dans le sac ?

1. Un calibreur/chargeur de bureau CH5000
2. Un adaptateur 24 V cc 2,5 A avec prise universelle de secteur.
3. Un de ces câbles d'alimentation secteur.
 - Les chargeurs pour l'Amérique du Nord (CH5000A) sont emballés avec un câble d'alimentation muni d'une prise américaine à trois broches
 - Les chargeurs européens (CH5000E) sont emballés avec un câble d'alimentation muni d'une prise européenne à 2 broches
 - Les chargeurs pour le Royaume-Uni (CH5000U) sont emballés avec un câble d'alimentation muni d'une prise anglaise à 3 broches

Sécurité

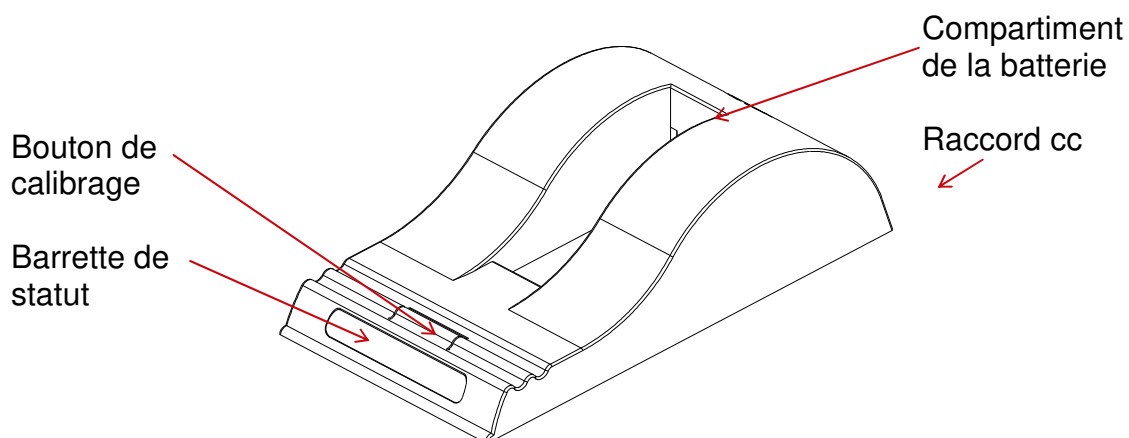
1. Ne pas exposer le chargeur ou l'alimentation électrique à l'eau ou à des liquides. Le boîtier n'est pas scellé.
2. Ne pas ouvrir le chargeur ou le boîtier d'alimentation. Ils ne contiennent aucune pièce réparable par l'utilisateur.
3. Ne pas couvrir la sortie du ventilateur ou obstruer le débit d'air pour éviter une surchauffe.
4. N'utiliser que l'alimentation électrique du fabricant et respecter les polarités de branchement.
5. Placer le chargeur dans un endroit frais, à l'abri des sources externes de chaleur.



Il est possible que le chargeur devienne chaud pendant le recalibrage.

Utiliser votre chargeur

Placez le chargeur sur une surface plane à l'abri des sources de chaleur et d'humidité. Branchez le raccord cc de l'alimentation à l'arrière du chargeur et branchez l'alimentation au secteur à l'aide du câble fourni.



Chargement

Placez la batterie dans son compartiment en vous assurant que le raccord à 5 broches est bien inséré. Les LED de la barrette de statut fournissent des informations sur le statut et le chargeur commence immédiatement à se charger.

Indication des LED :

Le statut de la batterie est indiqué par les LED visibles sur la barrette de statut :

- * **Verte clignotante :** batterie en cours de chargement
- **Verte permanente :** batterie complètement chargée
- * **Bleue clignotante :** batterie en mode de calibrage
- **Bleue permanente :** indicateur de niveau de charge de la batterie calibré
- * **Rouge clignotante :** l'indicateur de niveau de charge de la batterie doit être recalibré
- **Rouge permanente :** Erreur

Durée de rechargement

La batterie ND2054 a besoin de 3,5 heures minimum pour recharger une batterie complètement déchargée.

Durée de recalibrage

Le recalibrage se compose d'une charge de calibrage suivie d'une décharge de calibrage. Ensuite, la batterie est chargée normalement. Le cycle de calibrage est plus rapide si la batterie est pleinement chargée au début. La durée de recalibrage est régie par la tension de la batterie et sa puissance. Les batteries les plus grosses demandent plus de temps de recalibrage. Le calibrage se déclenche chaque fois qu'on appuie sur le bouton. Il n'est donc pas recommandé d'appuyer sur le bouton de recalibrage au milieu d'un cycle de recalibrage.

Que sont les SMBus et les SBS ?

Le Système de batterie intelligente (SBS – de l'anglais Smart Battery System) définit les paramètres stockés sur une batterie conforme SBS. Ces paramètres comprennent des informations complètes sur le statut de la batterie et l'indicateur de niveau de charge. Le Bus de gestion du système (SMBus – de l'anglais System Management Bus) est le langage utilisé pour communiquer ces paramètres entre la batterie, le chargeur et le dispositif hôte.

Comment le chargeur connaît-il la charge à fournir ?

Le chargeur CH5000 est capable de détecter et de fournir une charge appropriée. Une fois la batterie insérée dans le chargeur, elle communique avec le chargeur via le SMBus et l'informe du type de chimie de la cellule et du régime de chargement nécessaire. Ensuite, le CH5000 configure son débit afin de fournir le régime de charge dont la batterie a besoin. Si la batterie ne communique pas avec le SMBus, le chargeur interroge la broche d'identification de la thermistance/résistance sur la borne de la batterie et il fournit la charge appropriée.

INDICATEUR DE NIVEAU DE CHARGE ET RECALIBRAGE :

Fonctionnement de l'indicateur de charge

Vous pouvez avoir l'un des deux types de batteries avec votre système d'éclairage LED. La principale différence entre ces deux blocs-batteries est l'emplacement et le fonctionnement de l'indicateur de l'état de charge de la batterie.

Sur un type de batterie (illustré ci-dessous), l'indicateur de charge avec affichage LCD utilise un affichage LCD à « cinq » segments. Chaque segment représente environ 20 % de la capacité restante des batteries. Chaque segment d'une batterie complètement chargée représente environ 30 minutes de fonctionnement. Pour cette batterie, l'indicateur de charge à affichage LCD se trouve à la même extrémité de la batterie que la languette de traction et ne nécessite aucune action pour la voir.



Sur l'autre type de batterie (exemple ci-dessous), l'indicateur de charge LED utilise un voyant LED à « quatre » segments. Chaque segment représente environ 25 % de la capacité restante des batteries. Chaque segment d'une batterie complètement chargée représente environ 37,5 minutes de fonctionnement. Pour cette batterie, l'indicateur de charge LED se situe sur le devant de la batterie et l'utilisateur doit appuyer sur le petit bouton circulaire à côté de l'indicateur pour déterminer l'autonomie restante de la batterie, indiquée par des voyants LED verts.



Les applications « réelles » déchargent rarement complètement une batterie. Les décharges partielles fréquentes ne sont pas un problème pour votre batterie intelligente, cependant, après une utilisation répétée de ce genre, la précision de l'indicateur de charge peut être réduite.

La batterie intelligente dispose d'un système de surveillance intégré qui vérifie la précision de l'indicateur de charge, en fonction de l'historique de décharge de la batterie. Cet historique est diffusé sur le SMBus et peut être utilisé par le dispositif hôte pour informer l'utilisateur à quel moment effectuer un nouvel étalonnage de l'indicateur de charge électronique.

Nouvel étalonnage

Le nouvel étalonnage du dispositif électronique est réalisé par le rechargement complet de la batterie, suivi d'une décharge complète. Selon l'historique de stockage du bloc-batterie, la batterie intelligente peut nécessiter un étalonnage lorsque celle-ci est nouvelle.

Si le nouvel étalonnage de l'indicateur de charge est nécessaire, le voyant LED rouge sur le chargeur pour l'étalonnage clignotera lors de l'insertion de la batterie. Ceci permet d'avoir une idée de la précision de l'indicateur de charge et évite les cycles d'étalonnage inutiles.

L'utilisateur peut soit étalonner l'indicateur de charge et charger la batterie, ou tout simplement recharger la batterie.

L'étalonnage prend plus de temps que le rechargement, et cela peut ne pas être commode de passer par le cycle d'étalonnage.

Pour étalonner à nouveau l'indicateur de charge, appuyez sur le bouton à l'avant du chargeur.

Le chargeur commencera automatiquement à charger la batterie si le bouton n'est pas enfoncé.

Le voyant LED bleu clignote pour indiquer que la batterie est en cours de cycle du nouvel étalonnage.

Lors de l'étalonnage, les résistances de décharge seront refroidies par le ventilateur. Le fait de retirer la batterie, ou d'appuyer à nouveau sur le bouton d'étalonnage relancera le processus depuis le début.

À la fin de cette procédure, le voyant LED bleu reste stable, indiquant que l'indicateur de charge est complètement étalonné. Les environnements chauds peuvent provoquer une défaillance de l'étalonnage - maintenir le chargeur éloigné de toute source de lumière du soleil ou de chaleur directe.

7. PIÈCES DE RECHANGE

Pour des pièces de rechange ou des accessoires en option ou supplémentaires :
Veuillez appeler le S.A.V. au +1 877-677-2832

8. SERVICE À LA CLIENTÈLE

Le Headlight à LED ne possède aucune composante réparable sur le terrain ou par l'utilisateur. Il ne peut être réparé qu'à l'usine par des techniciens spécialement formés.

9. GARANTIE LIMITÉE

Votre phare LED et l'étui de la batterie sont garantis trois ans à partir du jour d'expédition, pour tous les défauts de fabrication ou de matériau.

Vos batteries et votre chargeur sont garantis un an à compter de la date d'expédition, pour tous les défauts de fabrication ou de matériau. Si votre produit présente effectivement un tel défaut, **ST TECHNOLOGIES®** réparera ou remplacera le produit ou le composant sans frais. Veuillez contacter **ST TECHNOLOGIES®** pour obtenir des documents d'autorisation de retour.

Vous devez emballer l'appareil dans une boîte en carton épais et l'expédier à l'usine. Veuillez inclure une note décrivant le problème, avec votre nom, votre numéro de téléphone et une adresse de l'expéditeur. La garantie ne couvre pas l'équipement soumis à une mauvaise utilisation, des dégâts accidentels, une usure normale ou un transfert sans autorisation de **ST TECHNOLOGIES®** à un nouveau propriétaire. Cette garantie vous accorde des droits juridiques spécifiques et vous pouvez disposer d'autres droits qui varient d'un état à l'autre.

RÉPARATION APRÈS LA PÉRIODE DE GARANTIE : Vous pouvez retourner votre ou vos produits à fins de réparation, en les expédiant prépayés à l'usine. Votre produit sera inspecté et une estimation des frais de réparation sera soumise à votre approbation. Le paiement doit être reçu avant que les réparations ne soient effectuées.

- Téléphone : Numéro vert (États-Unis) + 1 877 814 2237
- S.A.V. : +1 904 208 2291

10. FIN DE VIE DU PRODUIT

Conformément à la Directive européenne en matière de Déchets d'Équipements Électriques et Électroniques (DEEE), nous encourageons nos clients à recycler ce produit autant que possible. La mise au rebut de cet appareil doit être faite en conformité avec les réglementations locales en vigueur en matière de protection de l'environnement.

Aux États-Unis, une liste des recycleurs de votre région est disponible sur : <http://www.eiae.org/>.

Veuillez contacter le S.A.V. pour recevoir une autorisation de retour du produit au fabricant à la fin de son cycle de vie.



11. TABLEAU DES SYMBOLES DES ÉQUIPEMENTS MÉDICAUX UTILISÉS

	marque CE
	Fabricant
	« Représentant autorisé dans la communauté européenne. »
	Attention. Consulter les documents d'accompagnement
	Ne pas jeter dans une poubelle municipale ordinaire. Recycler.



CUDA[®]

SURGICAL

ELITE 9000 LED Kopfleuchten-System Bedienungsanleitung LLS-9000



CE



ST Technologies[®]
6018 Bowdendale Avenue
Jacksonville, FL 32216 USA

Kundendienst: 904 208 2291
Gebührenfrei: 877 814 2237

ECIREP

RMS UK, Ltd.
28 Trinity Road
Nailsea, Somerset BS48 4NU
Vereinigtes Königreich
TEL: 01275 858891

LIT-212 CUDA[®]
(Deutsch)

Rev. B
Datum der Revision: 09/01/17
Seite 21 von 51

INHALTSVERZEICHNIS

- 1. VERWENDUNGSZWECK**
- 2. ALLGEMEINE WARNHINWEISE**
- 3. MONTAGE**
- 4. WARTUNG**
- 5. REINIGUNG**
- 6. DESKTOP SMART-LADEGERÄT UND KALIBRATOR**
- 7. ERSATZTEILE**
- 8. BENUTZERSERVICE**
- 9. GARANTIE UND REPARATUR**
- 10. PRODUKTLEBENSDAUER**
- 11. TABELLE DER SYMBOLE DES MEDIZINISCHEN GERÄTS**

1. VERWENDUNGSZWECK

Dieses LED ELITE 9000 Kopfleuchtensystem wurde entwickelt, um Operationsstellen mit hochintensivem LED-Licht zu erhellen.

Wir beglückwünschen Sie zum Kauf Ihres neuen LED-Kopfleuchtensystems!

Das LED Headlight ELITE 9000 ist eine akkubetriebene, tragbare Leuchte mit einstellbarem Scheinwerfer. Wir verwenden eine verschlüsselte Akkutechnologie, die mit zulässigen Akkus vom Hersteller oder autorisierten Fachhandel betrieben wird.

Außerdem ist das Gerät mit einem Alarmsystem ausgestattet, das bei geringer Akkuleistung ein akustisches Signal abgibt. Verringert die ausgabe kann die lebensdauer der batterie zu verlängern und damit die höhe der Hinweiszeit vor stromversorgung nach unten. Dieser praktische Alarm gibt dem Benutzer Zeit, eine Reservebeleuchtung für jede Anwendung dieses Systems bereitzustellen. Siehe allgemeine Warnhinweise.

2. ALLGEMEINE WARNHINWEISE



Hinweis:

Sie müssen den Akku zuerst vollständig aufladen, bevor Sie die Kopfleuchte das erstmal einsetzen.

Der Benutzer sollte mit der Nutzung und Pflege dieses Produkts vertraut sein.

Er sollte die Anleitung genau durchlesen, bevor die Kopfleuchte klinisch eingesetzt wird.

Prüfen Sie den Ladezustand des Akkus sorgfältig vor jedem Eingriff (Leistungsmesser), um optimale Leistungsdauer zu gewährleisten.

LED-Hochleistungslichtquellen verwenden lichtstarke LEDs, die Hitze und Licht erzeugen. Die starke Leistung dieser LEDs kann verursachen, dass der Scheinwerfer beim Betrieb heiß wird, was normal ist.

Das Ladegerät und Netzteil dürfen nicht im OP oder in der Nähe des Patienten verwendet werden.

Scheinen Sie das Licht während der Operation niemals direkt in die Augen, da dies extremes Unbehagen verursachen kann.

Benutzer sind bei der Verwendung dieses Geräts für die Bereitstellung einer Reservebeleuchtung verantwortlich.

3. KOPFLEUCHTENSYSTEM MONTAGE

Entfernen Sie vor dem Fortfahren die Schutzkappe von der Linse.

Setzen Sie einen vollständig geladenen, verschlüsselten Akku in die Akkutasche ein und stellen Sie sicher, dass er fest am Boden in der Akkuaussparung sitzt.

Sollten Sie einen unverschlüsselten Akku installieren, werden Sie durch zwei Signaltöne gewarnt, dass ein falscher Akku verwendet wird. Das Gerät wird nicht geladen. Nur wenn Sie einen verschlüsselten Akku einlegen, kann das Gerät geladen werden.

Um das LED-Modul über das Ladekabel mit der Akkutasche zu verbinden, lassen Sie den Schnellanschluss des LED-Moduls in die Aufnahme an der Tasche einrasten, wie hier gezeigt. Wenn er richtig eingerastet ist, löst sich diese Verbindung nicht. Sie können die Anschlüsse drehen, bis Sie die Nut finden, und sie dann zusammendrücken, ohne die Stifte zu beschädigen.



Der Ein-/Ausschalter dient auch zur LED-Leistungssteuerung. Drehen Sie den Schalter einfach im oder gegen den Uhrzeigersinn, um die gewünschte Helligkeit zu erreichen.

Die Kopfleuchte verfügt über eine Blende, um den Strahldurchmesser einzustellen. Drehen Sie den geriffelten Blendeneinstellring an der Kopfleuchte nach links oder rechts, um den gewünschten Lichtkegeldurchmesser einzustellen.

Die Akkutasche wird an einem Gurt getragen. Auf ihrer Rückseite befindet sich ein Metallklipp, den man über einen Gurt streifen kann. Das Stromkabel wird an den Kabelklemmen auf der Seite und Rückseite des Kopfbandes befestigt.

Um das LED Modul von der Akkutasche zu entfernen, drücken Sie auf den kleinen, erhöhten Knopf am Schnellanschluss zwischen dem LED-Modul und der Akkutasche, und ziehen sie ohne es zu drehen gerade heraus.



Dann setzen Sie das Kopfband auf. Sie können die Größe einstellen, indem Sie den Knopf hinten am Kopfband drehen, bis es bequem sitzt. Für mehr Komfort lässt sich das Kreuzband auch verstellen.

Wenn Kopfleuchtenmodul und Kabel verbunden sind, ist die Einheit einsatzbereit. Das System kommt mit Klipsen, um das Gewicht des Kabels vom Kopfband zu entlasten. Ein Klipp wird unter der Schulter befestigt.

Wenn der Akku bis auf den letzten "Block" auf der Stromanzeige geleert ist, kann das Gerät einmal piepsen, um niedrige Akkuleistung anzuzeigen. Hören Sie zwei Töne, dann ist die Leistung kurz vor dem Abschalten.

4. WARTUNG

Die sichere Lagerung des Kopfleuchtensystems verlängert seine Lebensdauer. Folgende Richtlinien erhalten die Lebensdauer des Systems:

- Halten Sie die optischen Flächen der LED-Kopfleuchtenlinse von harten Oberflächen fern, die sie zerkratzen könnten. Kratzer auf der Oberfläche verringern die Lichtausgabe. Die Linsenkappe schützt die Linse beim Transport.

5. REINIGUNG

Das Kopfleuchtenmodul kann mit Alkohol abgerieben werden. Die Linse sollte nur mit Linsentüchern gereinigt werden, die Sie in jedem Kamerageschäft kaufen können. Befolgen Sie die Anleitungen auf der Verpackung.

Befolgen Sie die Verfahren für Erreger im Blut gemäß OSHA und/oder Krankenhausvorschriften, wenn Sie das Produkt reinigen und desinfizieren.

Das Kopfband kann mit einem Alkoholtupfer abgerieben oder mit lauwarmer Seifenlösung gewaschen werden. Gründlich abspülen.



LED-Kopfleuchtenmodul, Kopfband, Kabel, Akku und Akkutasche dürfen nicht autoklaviert werden.

6. DESKTOP-SMART-AUFLADE- UND KALIBRIERGERÄT

Welche Ladeteile befinden sich in der Tragetasche?

1. Ein CH5000 Desktop-Ladegerät/Kalibrator
2. Ein 24V 2,5A DC-Netzteil mit Universalstromeingang.
3. Eines dieser Hauptstromkabel.
 - Ladegeräte für Nordamerika (CH5000A) kommen mit einem 3-poligen US-Kabel
 - Ladegeräte für Europa (CH5000E) kommen mit einem 2-poligen Stromkabel
 - Ladegeräte für GB (CH5000U) kommen mit einem 3-poligen GB-Stromkabel

Sicherheit

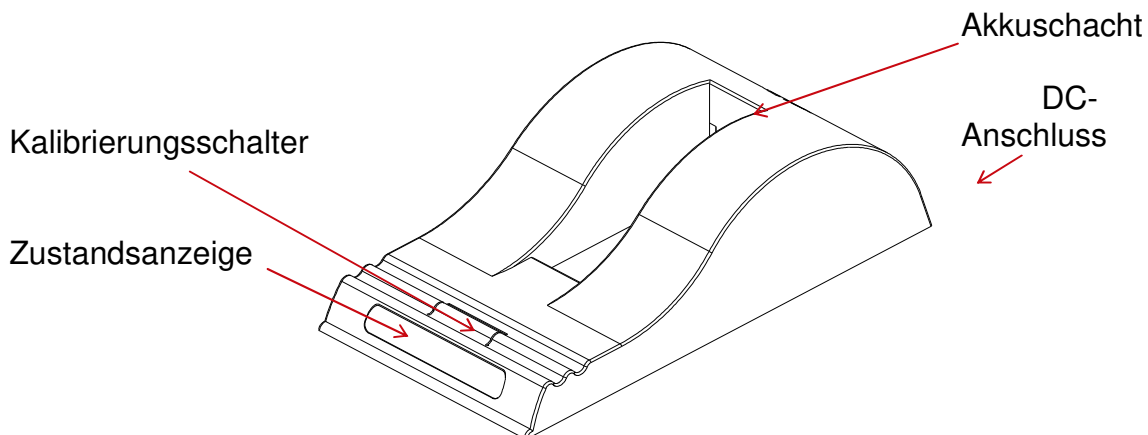
1. Ladegerät oder Netzteil dürfen nicht mit Wasser oder Flüssigkeiten in Kontakt kommen. Das Gerät hat kein wasserfestes Gehäuse.
2. Die Gehäuse von Ladegerät oder Netzteil dürfen nicht geöffnet werden. Es gibt keine durch den Anwender zu wartenden Teile.
3. Lüftungsabfluss und Luftzufuhr dürfen nicht verdeckt oder behindert werden, da es sonst zu Überhitzung führt.
4. Verwenden Sie nur vom Hersteller gelieferte Netzteile und beachten Sie die Anschlusspolarität.
5. Ladegerät kühl und trocken lagern.



Das Ladegerät kann während der Rekalibrierung warm werden.

Verwendung des Ladegeräts

Legen Sie das Ladegerät auf eine flache, ebene Oberfläche und halten Sie es von Hitze und Feuchtigkeit fern. Schließen Sie den DC-Anschluss vom Netzteil an der Rückseite des Ladegerätes an und verbinden Netzteil und AC-Netzversorgung mit dem bereitgestellten Kabel.



Laden

Legen Sie den Akku in den Akkuschacht ein und stellen Sie sicher, dass der 5-polige Anschluss fest sitzt. Die LEDs in der Zustandsanzeige geben Informationen über den Ladezustand und das Ladegerät beginnt automatisch mit dem Laden.

LED-Anzeige:

Der Akkuzustand wird durch die LEDs im Zustandsanzeige dargestellt.

✱ Blinkt grün:	Akku wird geladen
● Durchgehend grün:	Akku ist vollständig geladen
✱ Blinkt blau:	Akku in Kalibrierungsmodus
● Durchgehend blau:	Akkumesser kalibriert
✱ Blinkt rot:	Akkumesser muss kalibriert werden
● Durchgehend rot:	Fehler

Ladezeit

Wenn der ND2054 Akku vollständig entladen ist, benötigt er 3,5 Stunden, um vollständig aufzuladen.

Kalibrierzeit

Neukalibrierung besteht aus Kalibrierladung, gefolgt von Kalibriertentladung. Dann erhält der Akku seine übliche Ladung. Der Kalibrierzyklus geht schneller, wenn der Akku vollständig geladen ist. Die Kalibrierzeit wird von Akkuspannung und -kapazität bestimmt. Größere Akkus brauchen etwas länger. Die Kalibrierung wird immer eingeleitet, wenn die Taste gedrückt wird, daher ist es nicht empfehlenswert, die Rekalibriertaste während des Kalibrierzyklus zu drücken.

Was ist SMBus und SBS?

Das Smart-Akkusystem definiert die Parameter, die im SBS-konformen Akku gespeichert sind. Diese Parameter umfassen vollen Akkuzustand und Ladeinformationen. Beim System Management Bus handelt es sich um die Sprache, in der diese Parameter zwischen Akku, Ladegerät und Host-Gerät ausgetauscht werden.

Woher weiß das Ladegerät, welche Ladung zu liefern ist?

Das CH5000 Ladegerät kann die entsprechende Ladung fühlen und liefern. Wenn Sie den Akku ins Ladegerät eingelegt haben, sagt der Akku dem Ladegerät über den SMBus, welche Art Zellenchemie vorliegt und welche Art der Ladung benötigt wird. Das CH5000 konfiguriert dann die Ausgabe, um die erforderliche Ladung an den Akku zu liefern. Findet keine SMBus-Kommunikation statt, dann fragt das Ladegerät den Temperaturfühler/Widerstand ID-Stecker auf dem Akku-Terminal ab und liefert die entsprechende Ladung.

LADUNGSMESSER UND NEUKALIBRIERUNG:

Betrieb des Akkumessers

Ihr LED-Kopfleuchtensystem kommt mit einem von zwei möglichen Akkus. Der Hauptunterschied zwischen den beiden Akkus ist der Sitz und die Funktion der Akkuanzeige.

Der LCD-Akkumesser des einen Akkutyps (s.u.) verwendet eine LCD mit 5 Abschnitten. Jeder Abschnitt stellt etwa 20% der verbleibenden Akkukapazität dar. Jeder Abschnitt eines vollständig geladenen Akkus bedeutet ca. 30 Minuten Betriebsdauer. Für diesen Akku sitzt der LCD-Akkumesser am selben Ende des Akkus wie die Öffnungslasche und kann ohne Eingriff eingesehen werden.



Der LCD-Akkumesser des anderen Akkutyps (s.u.) verwendet eine LCD mit 4 Abschnitten. Jeder Abschnitt stellt etwa 25% der verbleibenden Akkukapazität dar. Jeder Abschnitt eines vollständig geladenen Akkus bedeutet ca. 37,5 Minuten Betriebsdauer. Bei diesem Akkutyp ist der LED-Akkumesser vorn angebracht und der Nutzer muss einen kleinen runden Knopf neben der Anzeige drücken, um die verbleibende Akkuzeit festzustellen, die durch grüne LEDs dargestellt wird.



Durch die normale Anwendung wird der Akku üblicherweise niemals vollständig entleert. Häufige teilweise Entladung ist für Ihren Smart-Akku kein Problem, doch nach wiederholter Anwendung auf diese Weise kann die Genauigkeit des Akkumessers abweichen.

Der Smart-Akku besitzt ein eingebautes Überwachungssystem, das die Genauigkeit des Akkumessers anhand des Entladungsverlaufs des Akkus überprüft. Dieser Verlauf wird

über einen SMBus gesendet und kann vom Host-Gerät verwendet werden, um den Nutzer darüber zu informieren, wann der elektronische Akkumesser neu kalibriert werden muss.

Neukalibrierung

Die Elektronik wird neu kalibriert, indem der Akku vollständig aufgeladen und dann ebenso vollständig entleert wird. Je nach Lagerverlauf des Akkupacks muss der Smart-Akku kalibriert werden, wenn der ganz neu ist.

Wenn der Akkumesser neu kalibriert werden muss, blinkt die rote LED auf dem kalibrierenden Ladegerät, wenn Sie den Akku einlegen. Auf diese Weise erhalten Sie Angaben zur Genauigkeit des Akkumessers und vermeiden unnötige Kalibrierzyklen.

Der Nutzer kann entweder den Akkumesser kalibrieren und den Akku laden oder nur den Akku laden.

Die Kalibrierung dauert länger als das Laden und ist daher möglicherweise unpraktisch.

Um den Akkumesser neu zu kalibrieren, drücken Sie die Taste vorn auf dem Ladegerät.

Das Ladegerät beginnt mit dem Laden des Akkus automatisch, wenn die Taste nicht gedrückt wird.

Die blaue LED blinkt, um anzuzeigen, dass sich der Akku im Kalibrierzyklus befindet.

Während der Kalibrierung werden die Entladewiderstände vom Gebläse gekühlt. Wenn Sie den Akku entfernen oder die Kalibriertaste erneut drücken, beginnt der Prozess von vorn.

Am Ende des Verfahrens leuchtet die blaue LED durchgehend, um anzuzeigen, dass der Akkumesser vollständig kalibriert wurde. Warme Umgebungen können zu Kalibrierfehlern führen - halten Sie das Ladegerät von direkter Sonneneinstrahlung oder Wärmequellen fern.

7. ERSATZTEILE

Wenn Sie Ersatzteile oder Zusatz- oder optionale Teile benötigen:
Rufen Sie unseren Kundendienst an unter 877-677-2832.

8. BENUTZERSERVICE

Die LED-Kopfleuchte enthält keine Benutzer- oder vor Ort wartbaren Teile. Sie kann nur im Werk oder von werksgeschulten Technikern repariert werden.

9. BESCHRÄNKTE GARANTIE

Ihre LED-Stirnlampe und das Akku-Halter werden mit einer dreijährigen Garantie ausgeliefert, die ab dem Versanddatum gilt und sich auf alle Arbeits- und Materialmängel bezieht.

Für den Akku und das Aufladegerät gilt eine einjährige Garantie auf Arbeits- und Materialmängel, die ab dem Versanddatum gilt. Sollte Ihr Produkt solche Fehler aufweisen, repariert oder ersetzt **ST TECHNOLOGIES®** Produkt oder Komponente kostenlos. Bitte kontaktieren Sie **ST TECHNOLOGIES®**, um die Rücksendeberechtigung zu erhalten.

Sie sollten das Gerät sorgfältig in einen stabilen Karton einpacken und ans Werk zurücksenden. Bitte legen Sie eine Notiz mit Ihrem Namen, einer Telefonnummer und Rücksendeadresse bei, auf der der Fehler beschrieben wird. Die Garantie deckte keine Schäden ab, die durch Missbrauch, Unfall, normale Abnutzung entstehen, und sie erlischt, wenn das Gerät ohne Genehmigung von **ST TECHNOLOGIES®** an einen neuen Benutzer übertragen wird. Diese Garantie gewährt Ihnen gewisse Rechte, Sie können jedoch je nach Gerichtsbezirk noch andere Rechte haben.

REPARATUREN NACH ABLAUF DER GARANTIE: Sie können das Gerät mit Rückporto zur Reparatur einsenden. Ihr Produkt wird geprüft und Sie erhalten einen Kostenvoranschlag der Reparaturkosten zur Genehmigung. Die Zahlung muss vor Ausfertigung der Reparatur eingehen.

- Telefon: gebührenfrei 877 814 2237
- Kundendienst: 904 208 2291

10. PRODUKTLEBENSDAUER






In Übereinstimmung mit der WEEE-Richtlinie (Richtlinie über Elektro- und Elektronik-Altgeräte) möchten wir Sie bitten, dieses Produkt sofern möglich zu recyceln. Dieses Produkt muss gemäß der örtlich geltenden Umweltschutzbestimmungen entsorgt werden.

In den USA ist eine Liste der Recycler in Ihrer Region verfügbar unter: <http://www.eiae.org/>.

Bitte den Kundendienst um eine Warenrücksendegenehmigung, um das Produkt am Ende seiner Lebenszeit an den Hersteller zurückzusenden.



11. TABELLE DER SYMBOLE DES MEDIZINISCHEN GERÄTS

	CE-Abzeichen
	Hersteller
	„Autorisierter Vertreter in der EU“
	Achtung - lesen Sie sich die Begleitdokumente durch
	Nicht im Hausmüll entsorgen. Bitte recyceln.



CUDA[®]

SURGICAL

ELITE 9000

Sistema di lampada frontale a LED

Manuale dell'utente

LLS-9000



CE



ST Technologies[®]
6018 Bowdendale Avenue
Jacksonville, FL 32216 USA

Assistenza clienti: 904 208 2291
Numero verde 877 814 2237

EC|REP

RMS UK, Ltd.
28 Trinity Road
Nailsea, Somerset BS48 4NU
Regno Unito
TEL: 01275 858891

LIT-212 CUDA[®]
(Italiano)

Rev. B
Date de revision: 09/01/17
Pagine 32 di 51

INDICE

1. DESTINAZIONE D'USO
2. AVVERTENZE GENERALI
3. MONTAGGIO
4. MANUTENZIONE
5. PULIZIA
6. CARICABATTERIE INTELLIGENTE E CALIBRATORE DESKTOP
7. PARTI DI RICAMBIO
8. ASSISTENZA UTENTE
9. GARANZIA E RIPARAZIONE
10. FINE VITA PRODOTTO
11. TABELLA DEI SIMBOLI RELATIVI AL DISPOSITIVO MEDICO

1. DESTINAZIONE D'USO

Il sistema di lampada frontale a LED ELITE 9000 è caratterizzato da una sorgente LED ad alta intensità per l'illuminazione della sede chirurgica.

Congratulazioni per l'acquisto del vostro nuovo sistema di lampada frontale a LED.

La lampada frontale a LED ELITE 9000 è una lampada portatile alimentata a batteria con spot regolabile, e utilizza una tecnologia di batteria con chip che richiede l'uso di batterie approvate ottenute dal produttore o dai distributori autorizzati.

Questo sistema fornisce inoltre un allarme di batteria scarica che emette un segnale acustico quando la carica è bassa. Diminuendo la produzione può prolungare la durata della batteria e quindi la quantità di tempo di avviso prima dello spegnimento. Questo allarme è una comodità e l'utente deve pianificare una fonte di illuminazione di riserva per qualsiasi applicazione in cui viene impiegato questo sistema. Vedere la sezione Avvertenze generali.

2. AVVERTENZE GENERALI



Nota:

Prima del primo utilizzo della lampada frontale è necessario ricaricare le batterie.

L'utente deve avere grande familiarità con l'uso e la manutenzione di questo prodotto.

Prima di effettuare qualsiasi tentativo di usare clinicamente questo prodotto, l'utente deve studiare attentamente il manuale.

Prima di ogni procedura, è indispensabile controllare attentamente lo stato di carica delle batterie (indicatore di carica) per garantire la durata ottimale durante l'intervento.

Le sorgenti luminose con LED ad alta intensità producono un certo calore, oltre alla luce. L'elevata potenza di tali LED può rendere la lampada frontale calda al tatto durante il funzionamento, ed è normale.

Il caricabatterie e il relativo alimentatore non devono essere utilizzati nella sala operatoria e neppure nell'area in cui si trova il paziente.

Attenzione a non puntare la luce direttamente verso gli occhi durante il funzionamento, perché la luce intensa può causare disturbi oculari gravi.

Quando si impiega questo dispositivo, gli utenti devono avere a disposizione sistemi di illuminazione di riserva idonei per l'ambito di applicazione.

3. MONTAGGIO DEL SISTEMA DI LAMPADA FRONTALE

Prima di continuare, togliere il copriobiettivo di protezione.

Inserire nella tasca portabatteria una batteria con chip completamente carica e verificare che sia perfettamente innestata sul connettore situato al fondo del comparto batterie.

Se si installa una batteria priva di chip, l'emissione di due segnali acustici indica che si sta utilizzando una batteria non corretta e l'unità non si accende. Inserire una batteria con chip per poter accendere l'unità.

Per collegare il cavo di alimentazione tra il modulo LED e la tasca portabatteria, inserire il connettore rapido a pressione del modulo LED nella presa sul cavo del portabatteria finché non scatta in posizione, come mostrato qui sotto. Quando viene innestata correttamente, questa connessione non si sgancia. Ruotare i connettori fino a trovare la scanalatura ed esercitare allo stesso tempo una pressione senza danneggiare i piedini.



L'interruttore Acceso/Spento serve anche come controllo di intensità dei LED. Ruotare semplicemente la manopola in senso orario o antiorario per produrre l'emissione luminosa desiderata.

La lampada frontale è dotata di diaframma per variare il diametro del punto focale del fascio. Ruotare in senso orario o antiorario l'anello di regolazione del diaframma scanalato sulla lampada frontale per ottenere il diametro appropriato del punto focale.

La tasca portabatteria viene indossata su una cintura. Sul lato posteriore della tasca è presente una clip di metallo scorrevole per cintura che serve ad agganciare la tasca stessa. Il cavo di alimentazione è bloccato nei fermacavi situati di lato e sul retro della fascia per la testa.

Per rimuovere il modulo LED dalla tasca portabatteria, premere il piccolo pulsante rilevato sul dispositivo di scollegamento rapido situato tra il modulo LED e la tasca portabatteria ed estrarre senza ruotare.



Indossare quindi la fascia per la testa. La manopola sul retro permette di regolarne la circonferenza in modo da calzarla comodamente. Per un maggiore comfort è possibile regolare la fascia trasversale.

Una volta collegati il modulo della lampada frontale e il cavo, l'unità è pronta per l'uso. Il sistema è dotato di clip da camice, per alleviare il peso del cavo sulla fascia per la testa. Una clip da camice è fissata sotto la spalla.

Quando l'indicatore di potenza arriva all'ultima "tacca", segno che la batteria è quasi scarica, è possibile che l'unità emetta alcuni segnali acustici di allarme. Prima dello spegnimento, l'unità emette generalmente due segnali acustici per indicare ulteriori riduzioni di potenza.

4. MANUTENZIONE

Conservare il sistema di lampada frontale in un luogo sicuro prolunga la durata dell'unità. Le seguenti linee guida contribuiscono a prolungare la vita utile del sistema di lampada frontale:

- Evitare l'impatto dell'ottica della lampada frontale a LED su superfici dure, poiché questo potrebbe graffiare la sua superficie. Tali graffi riducono l'emissione luminosa. L'uso del copriobiettivo durante il trasporto consente di proteggere l'ottica.

5. PULIZIA

Il modulo della lampada frontale può essere pulito con alcol. L'ottica deve essere pulita esclusivamente con salviette per obiettivi, disponibili in qualsiasi negozio di fotografia. Seguire le indicazioni sulla confezione.

Durante la pulizia e la disinfezione del prodotto, seguire tutte le procedure pertinenti contro i patogeni a trasmissione ematica come richiesto dall'OSHA e/o dal proprio ospedale.

La fascia per la testa può essere pulita con un batuffolo imbevuto di alcool, oppure lavata con una soluzione tiepida di acqua e detergente delicato. Risciacquare abbondantemente.



Il modulo lampada frontale a LED, la fascia per la testa, il cavo, la batteria e la tasca portabatteria non devono essere sterilizzati in autoclave.

6. CARICABATTERIE INTELLIGENTE E CALIBRATORE DESKTOP

Quali componenti del caricabatterie sono inclusi nella borsa di trasporto?

1. Un caricabatterie/calibratore desktop CH5000
2. Un alimentatore da 24 V CC 2,5 A con ingresso di rete universale.
3. Un cavo di alimentazione di rete.
 - I caricabatterie per il Nord America (CH5000A) sono confezionati con un cavo di alimentazione a 3 pin US
 - I caricabatterie per l'Europa (CH5000E) sono confezionati con un cavo di alimentazione a 2 pin CE
 - I caricabatterie per il Regno Unito (CH5000U) sono confezionati con un cavo di alimentazione a 3 pin UK

Sicurezza

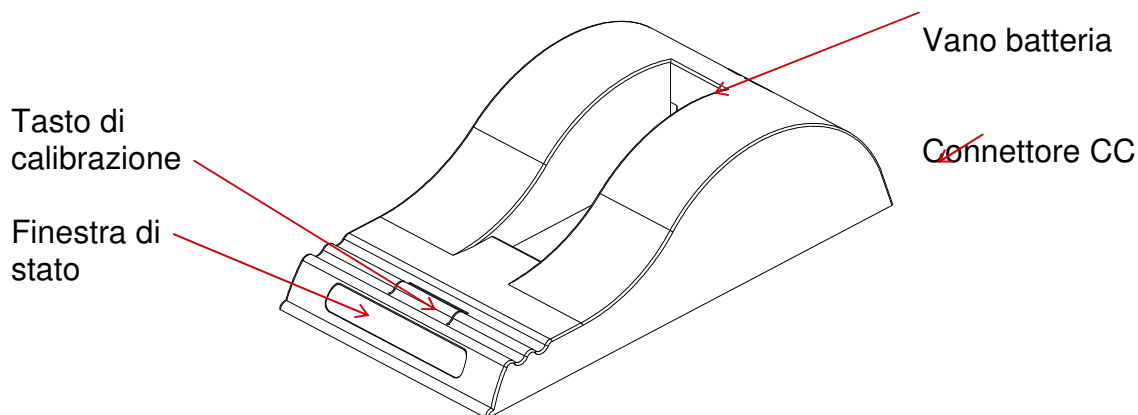
1. Non esporre il caricabatterie o l'alimentatore ad acqua o liquidi: l'involucro non è sigillato.
2. Non aprire l'involucro del caricabatterie o dell'alimentatore poiché non contengono componenti riparabili dall'utente.
3. Non coprire lo sfiato della ventola e non ostacolare il flusso d'aria, poiché questo causa il surriscaldamento del dispositivo.
4. Utilizzare solo l'alimentatore fornito dal produttore e osservare la polarità dei terminali.
5. Posizionare il caricabatterie in un luogo fresco, lontano da fonti di calore esterne.



Durante la ricarica il caricabatterie potrebbe surriscaldarsi.

Uso del caricabatterie

Collocare il caricabatterie su una superficie piana e lontano da fonti di calore e umidità. Inserire il connettore CC dell'alimentatore nella parte posteriore del caricabatterie e collegare l'alimentatore alla rete elettrica CA utilizzando il cavo in dotazione.



Carica

Posizionare la batteria nel vano batteria in modo che il connettore a 5 vie sia perfettamente innestato. I LED nella finestra di stato forniscono informazioni sulle condizioni della batteria e il caricabatterie inizia automaticamente la ricarica.

Indicazione a LED:

Lo stato della batteria è indicato dai LED visibili nella finestra di stato:

* Verde lampeggiante:	batteria in fase di ricarica
● Verde fisso:	batteria completamente carica
* Blu lampeggiante:	batteria in modalità di calibrazione
● Blu solido:	indicatore di carica della batteria calibrato
* Rosso lampeggiante:	ricalibrare l'indicatore di carica della batteria
● Rosso solido:	errore

Tempo di ricarica

Occorrono fino a 3,5 ore per caricare una batteria ND2054 completamente scarica.

Tempo di ricalibrazione

La ricalibrazione è costituita da una carica di calibrazione, seguita da una scarica di calibrazione. Infine, la batteria riceve una carica normale. Il ciclo di calibrazione è più rapido se si inizia con una batteria completamente carica. Il tempo di ricalibrazione è pilotato dalla tensione e dalla capacità della batteria. Le batterie più grandi richiedono tempi di ricalibrazione maggiori. La calibrazione inizia ogni volta che si preme il pulsante, perciò si raccomanda di non premere il pulsante di ricalibrazione durante il ciclo di ricalibrazione.

Cosa significano le sigle SMBus e SBS?

Il sistema di batteria intelligente (Smart Battery System, SBS) definisce i parametri che vengono memorizzati in una batteria compatibile SBS. Questi parametri includono lo stato di carica completa della batteria e informazioni sull'indicatore di carica. Il bus di gestione del sistema (SMBus, System Management Bus) è la lingua con cui questi parametri vengono comunicati tra la batteria, il caricabatterie e il dispositivo host.

Come fa il caricabatterie a sapere quale carica erogare?

Il caricabatterie CH5000 è in grado di rilevare ed erogare la carica appropriata. Una volta inserita la batteria nel caricabatterie, la batteria comunica con quest'ultimo mediante l'SMBus indicando la composizione chimica della cella e il regime di carica necessario. Il CH5000 configura quindi la propria potenza in modo da erogare alla batteria il regime di carica richiesto. Se la batteria non avvia comunicazioni attraverso l'SMBus, il caricabatterie interroga il pin I.D. del termistore/della resistenza sul terminale della batteria ed eroga la carica appropriata.

INDICATORE DI CARICA E RICLIBRAZIONE:

Funzionamento dell'indicatore di carburante

Con la lampada da testa LED riceverete due batterie diverse. La differenza principale tra queste due batterie è la posizione e il funzionamento dell'indicatore della batteria.

Su un tipo di batteria (mostrata di seguito), l'indicatore di carburante LCD impiega un LCD a 'cinque' segmenti. Ogni segmento rappresenta circa il 20% della capacità

rimanente delle batterie. Ogni segmento di una batteria completamente carica rappresenta circa 30 minuti di tempo di funzionamento. Per questa batteria, l'indicatore di carburante LED è situato alla stessa estremità della batteria della linguetta ad estrazione e non necessita di alcuna azione per essere visto.



Sull'altro tipo di batteria (esempio mostrato di seguito), l'indicatore di carburante LCD impiega un LCD a 'quattro' segmenti. Ogni segmento rappresenta circa il 25% della capacità rimanente delle batterie. Ogni segmento di una batteria completamente carica rappresenta circa 37,5 minuti di tempo di funzionamento. Per questa batteria, l'indicatore di carburante LED è situato sul lato frontale della batteria e l'utente deve premere il piccolo tasto circolare accanto all'indicatore per vedere la durata rimanente della batteria, rappresentata da LED verdi.



Le applicazioni "real-life" raramente scaricano totalmente una batteria. Cicli frequenti di scarico parziale non sono un problema per la vostra batteria intelligente, tuttavia dopo uso ripetuto in questo modo, la precisione dell'indicatore di carburante potrebbe ridursi.

La batteria intelligente presenta un sistema di monitoraggio integrato che controlla la precisione del misuratore di carburante, in base alla cronologia dei cicli di scarico della batteria. Questa cronologia è trasmessa tramite SMBus e può essere usata dal dispositivo host per informare l'utente del momento in cui calibrare l'indicatore di carburante elettronico.

Ricalibrazione

La ricalibrazione del sistema elettrico si ha ricaricando completamente la batteria e poi eseguendo un ciclo di scarico completo. In base alla cronologia di memoria della batteria, la batteria intelligente potrebbe necessitare di calibrazione se completamente nuova.

Se è necessaria la ricalibrazione del misuratore, il LED rosso sul caricatore di calibrazione lampeggerà dopo l'inserimento della batteria. Questo fornisce un riscontro sulla precisione della misurazione ed evita cicli di calibrazione non necessari.

L'utente può sia calibrare il misuratore che caricare la batteria o semplicemente caricare la batteria.

La calibrazione impiega di più rispetto alla ricarica e potrebbe non convenire procedere con il ciclo di calibrazione.

Per ricalibrare il misuratore; premere il tasto presente sul lato anteriore del caricatore.

Il caricatore inizierà automaticamente a caricare la batteria se non viene premuto il tasto.

Il LED blu lampeggerà per indicare che la batteria è sottoposta al ciclo di ricalibrazione.

Durante la calibrazione i resistori di scarico saranno raffreddati dal ventilatore. Rimuovendo la batteria e premendo nuovamente il tasto di calibrazione si inizierà nuovamente il processo dall'inizio.

Alla fine di questa procedura il LED blu resterà costantemente acceso per indicare un misuratore completamente calibrato. Ambienti caldi possono determinare un problema di calibrazione, tenere quindi il caricatore lontano dalla luce solare diretta o fonti di calore.

7. PARTI DI RICAMBIO

Per le parti di ricambio, o componenti supplementari od opzionali:
Contattare l'Assistenza clienti al numero 877-677-2832

8. ASSISTENZA UTENTE

La lampada frontale a LED non ha componenti riparabili dall'utente. La sua manutenzione può essere eseguita solo in fabbrica da parte di tecnici addestrati in sede.

9. GARANZIA LIMITATA

La lampada frontale a LED e la tasca portabatteria hanno una garanzia di tre anni dalla data di spedizione per quanto riguarda i difetti di fabbricazione i tutti i vizi di materiale.

Le vostre batterie e il caricabatterie sono coperti da una garanzia di un anno dalla data di spedizione per quanto riguarda i difetti di fabbricazione i tutti i vizi di materiale.

Se è dimostrato che il prodotto ha questi difetti, **ST TECHNOLOGIES®** riparerà o sostituirà il prodotto o il componente a titolo gratuito. Contattare **ST TECHNOLOGIES®** per la documentazione relativa all'autorizzazione di reso.

Imballare accuratamente l'unità in una scatola di cartone resistente e spedirla all'impianto di produzione. Inserire una nota con la descrizione dei difetti, nome e cognome, il numero di telefono e un indirizzo di ritorno. La garanzia non copre i dispositivi soggetti a uso improprio, danni accidentali, normale usura o trasferiti a un nuovo proprietario senza previa autorizzazione di **ST TECHNOLOGIES®**. Questa garanzia fornisce all'utente diritti legali specifici ed è possibile che esistano anche altri diritti variabili in base allo stato.

RIPARAZIONI POST-GARANZIA: È possibile restituire uno o più prodotti da riparare inviandoli all'impianto di produzione con spedizione preaffrancata. Il prodotto sarà ispezionato e una stima delle spese di riparazione verrà sottoposta all'utente per l'eventuale approvazione. Il pagamento deve essere ricevuto prima che vengano completate le riparazioni.

- Telefono: (numero verde) 877 814 2237
- Assistenza clienti: 904 208 2291

10. FINE VITA PRODOTTO

In conformità con la direttiva europea sui rifiuti di apparecchiature elettriche ed elettroniche (RAEE), i clienti sono incoraggiati a riciclare questo prodotto, quando possibile. Lo smaltimento di questa unità deve avvenire in conformità con le normative ambientali locali.

Per gli Stati Uniti è disponibile un elenco degli impianti di riciclaggio locali all'indirizzo: <http://www.eiae.org/>

Contattare l'Assistenza clienti per farsi rilasciare un'autorizzazione al reso del prodotto in modo da poterlo restituire al fabbricante al termine del ciclo di vita.



11. TABELLA DEI SIMBOLI RELATIVI AL DISPOSITIVO MEDICO

	Marchio CE
	Fabbricante
	"Rappresentante autorizzato nella Comunità europea."
	Attenzione, vedere i documenti di accompagnamento
	Non smaltire come rifiuti urbani generici. Riciclare.



CUDA[®]

SURGICAL

ELITE 9000

Sistema de lámpara frontal LED

Manual de operación

LLS-9000



ST Technologies[®]
6018 Bowdendale Avenue
Jacksonville, FL 32216 USA

Servicio de atención al cliente: 904 208 2291
Llamada gratuita: 877 814 2237



RMS UK, Ltd.
28 Trinity Road
Nailsea, Somerset BS48 4NU
Reino Unido
TEL: 01275 858891

ÍNDICE

1. **USO**
2. **ADVERTENCIAS GENERALES**
3. **UNIDAD**
4. **MANTENIMIENTO**
5. **LIMPIEZA**
6. **CARGADOR Y CALIBRADOR INTELIGENTE DE MESA**
7. **PIEZAS DE RECAMBIO**
8. **REPARACIONES POR EL USUARIO**
9. **GATANTÍA Y REPARACIÓN**
10. **FIN DE LA VIDA ÚTIL DEL PRODUCTO**
11. **TABLA DE SÍMBOLOS USADOS EN DISPOSITIVOS MÉDICOS**

1. USO

Este sistema de lámpara frontal ELITE 9000 está diseñado para proveer iluminación en locales quirúrgicos a partir de un LED de alta intensidad.

Enhorabuena por la compra de su nuevo sistema de lámpara frontal de LED.

La lámpara frontal LED ELITE 9000 es una lámpara frontal portátil de baterías con un punto de haz ajustable y con tecnología encriptada de baterías que requiere el uso de baterías aprobadas que deben adquirirse del fabricante o de distribuidores autorizados.

Este sistema también dispone de una alarma de batería que emitirá un pitido cuando el nivel de energía sea bajo. Disminuyendo la salida puede extender la vida útil de la batería y, por lo tanto, la cantidad de tiempo de advertencia antes del apagado. Esta alarma es una función práctica, no obstante el usuario deberá contar con iluminación de reserva para cualquier aplicación en la que se emplee este sistema, consulte “Advertencias generales”.

2. ADVERTENCIAS GENERALES



Tenga en cuenta que:

Se deben cargar las baterías completamente antes de usar por primera vez la lámpara frontal.

El usuario deberá estar completamente familiarizado con el uso y cuidado de este producto.

El usuario debe estudiar cuidadosamente el manual antes de hacer cualquier intento de darle uso clínico.

Antes de cada procedimiento, compruebe bien el estado de la carga de las baterías (indicador de energía) a fin de garantizar una duración adecuada para el procedimiento en cuestión.

Las fuentes de luz LED que emplean LED de alta intensidad generan calor además de luz. La luz que generan esos LED durante su funcionamiento puede hacer que la lámpara frontal se sienta algo caliente al tacto, lo cual es normal.

El cargador de baterías y la fuente de alimentación del cargador no deben usarse dentro de salones quirúrgicos ni en áreas de pacientes.

Tenga cuidado de no dirigir la luz directamente a los ojos durante la operación ya que la luz intensa puede provocar malestar severo en los ojos.

Cuando utilicen este dispositivo, los usuarios serán responsables de garantizar sistemas de iluminación de reserva.

3. COMO EMSAMBLAR EL SISTEMA DE LUZ FRONTAL

Antes de continuar, quite las tapas protectoras del lente.

Inserte una batería encriptada completamente cargada en la funda de baterías y asegúrese de que descansa bien sobre el conector que está en fondo del compartimento de baterías.

Si se instalara una batería no encriptada, se escucharán dos pitidos que indican que se está usando una batería inadecuada y la unidad no se encenderá. La unidad se encenderá al insertar una batería encriptada.

Para conectar el cable de alimentación desde el módulo de LED a la funda de baterías, inserte el conector rápido *push-pull* dentro de la cavidad del conductor de la funda de baterías hasta que caiga en su posición con un clic, según se muestra en la figura siguiente. Si la conexión se realiza correctamente, no se desprenderá. Puede girar los conectores para encontrar la guía y luego hacer presión sin dañar los pasadores.



El interruptor de encendido y apagado funciona también como control de intensidad del LED. Simplemente gire el botón en un sentido u otro para generar la intensidad de luz que desee.

La lámpara frontal posee un iris que permite ajustar el diámetro del punto del haz de luz. Gire la anilla de ajuste del iris estriado en sentido horario o contrario para establecer el diámetro adecuado del punto del haz de luz.

La funda de baterías se lleva en el cinturón y para ello posee una presilla metálica que se inserta por encima de este. El cable de alimentación queda sujeto en las grapillas en el lateral y en la parte posterior de la lámpara frontal.

Para quitar el módulo de LED de la funda de baterías, presione el botón saliente que se encuentra en el dispositivo de desconexión rápida, entre módulo de LED y la funda de baterías; luego tire de las partes sin torcerlas.



Posteriormente, colóquese la lámpara en la cabeza; puede ajustarla girando el botón de la parte posterior hasta que quede cómoda. Para lograr más comodidad, ajuste la banda cruzada.

La unidad estará lista para usarse cuando el módulo y el cable estén conectados.

El sistema viene con sus propias presillas para aliviar el peso del cable sobre la lámpara. Por debajo del hombro, se fija una presilla para bata.

Cuando la batería se haya agotado y en el indicador de energía aparezca el último segmento, la unidad emitirá un pitido para indicar un bajo nivel de energía. La unidad emitirá dos pitidos para indicar un nivel de energía aun más bajo antes de apagarse.

4. MANTENIMIENTO

Almacenar el sistema de lámpara frontal en un lugar seguro prolongará su vida útil.

Las directrices siguientes le ayudarán a prolongar la vida útil del sistema de lámpara frontal.

- No permita que las caras ópticas de la lámpara de LED entren en contacto con superficies duras ya que esto puede arañarlas. Los arañazos en las superficies ópticas disminuirán el caudal de luz. Usar las tapas del lente durante la transportación de la unidad contribuirá a proteger el lente.

5. LIMPIEZA

El módulo de lámpara frontal puede limpiarse con alcohol. El lente solo debe limpiarse con tejido adecuado para lentes, disponible en cualquier tienda de cámaras. Para realizar la limpieza siga las instrucciones que aparecen en el envase.

Al realizar labores de limpieza y desinfección de la unidad, siga todos los procedimientos aplicables contra patógenos sanguíneos según los requerimientos de OSHA y/o de su hospital.

La lámpara frontal puede limpiarse con alcohol o lavarse con una solución tibia de agua y detergente suave. Aclárela bien.



No esterilice con autoclave el módulo de lámpara frontal de LED, la banda de cabeza, el cable, las baterías ni la funda de baterías.

6. CARGADOR Y CALIBRADOR INTELIGENTE DE MESA

¿Qué componentes del cargador se encuentran en la bolsa de transportación?

1. Un cargador/calibrador de mesa CH5000
2. Una fuente de alimentación 24 V 2.5 A CC con entrada universal de red eléctrica
3. Uno de estos cables de alimentación:
 - Los cargadores para América del Norte (CH5000A) incluyen un cable americano de tres clavijas.
 - Los cargadores para Europa (CH5000E) incluyen un cable europeo de dos clavijas.
 - Los cargadores para el Reino Unido (CH5000U) incluyen un cable inglés de tres clavijas.

Seguridad

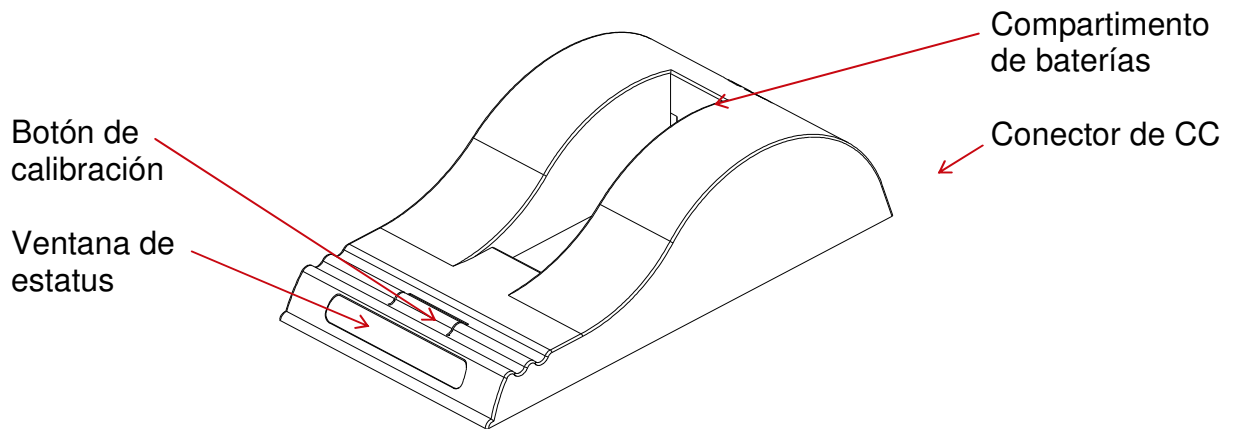
1. No exponga el cargador ni la fuente de alimentación al agua ni a líquidos ya que no son unidades selladas.
2. No abra la carcasa del cargador ni la fuente de alimentación ya que no contienen piezas que puedan repararse.
3. No tape la abertura del ventilador ni obstruya el flujo de aire ya que ello puede provocar calentamiento excesivo.
4. Utilice solamente la fuente de alimentación original del fabricante y respete la polaridad de los terminales.
5. Coloque el cargador en un lugar fresco y lejos de fuentes de calor.



El cargador puede calentarse durante la calibración.

Uso del cargador

Coloque el cargador en una superficie plana y nivelada, lejos de fuentes de calor y humedad. Enchufe el conector de CC de la fuente de alimentación en la parte posterior del cargador y conecte la fuente a la red eléctrica de CA mediante el cable que se provee.



Cargando

Coloque la batería en el compartimento de baterías asegurándose de que el conector de 5 vías quede bien asentado. Los LED en la ventana de estatus mostrarán información de estatus y automáticamente el cargador comenzará a cargar.

Indicación de LED:

El estatus de la batería se indica mediante los LED visibles en la ventana de estatus:

- * Verde parpadeando: **Batería cargándose**
- Verde fijo: **Batería completamente cargada**
- * Azul parpadeando: **Batería en modo de calibración**
- Azul fijo: **El indicador de energía de batería se ha calibrado.**
- * Rojo parpadeando: **El indicador de energía de batería requiere calibración.**
- Rojo fijo: **Error**

Tiempo de recarga

Para recargar una batería ND2054 totalmente agotada se necesitan hasta 3,5 horas.

Tiempo de recalibración

La recalibración consiste en una carga de calibración seguida de una descarga de calibración. Por último, la batería recibe una recarga normal. El ciclo de calibración será más rápido si la batería está completamente cargada. El tiempo de recalibración se rige por la tensión y capacidad de la batería. Las baterías más grandes requerirán más tiempo para recalibrarse. La calibración se inicia siempre que se pulse el botón de calibración, de modo que no se recomienda pulsarlo en medio de un ciclo de recalibración.

¿Qué son el SMBus y el SBS?

El sistema de batería inteligente (SBS, siglas en inglés) define los parámetros que almacena una batería con SBS. Entre estos parámetros están el estatus de batería con carga completa y la información del indicador de energía. El bus de gestión de sistema es el lenguaje mediante el cual se comunican estos parámetros entre la batería, el cargador y el dispositivo anfitrión.

¿Cómo sabe el cargador la cantidad de carga que debe proporcionar?

El cargador CH5000 es capaz de percibir y proporcionar la carga adecuada. Al insertar la batería en el cargador, esta se comunica con el cargador a través del SMBus y le informa sobre el tipo de química de célula que posee y qué tipo de régimen de carga necesita. Luego, el cargador CH5000 configura su salida para proveer el régimen de carga que solicita la batería. Si la batería no emitiera comunicaciones de tipo SMBus, el cargador interrogará a la clavija de ID de termistor/resistencia y proporcionará una carga adecuada.

INDICADOR DE ENERGÍA Y RECALIBRACIÓN:

Funcionamiento del indicador de batería

Con su sistema de lámpara frontal LED puede recibir dos tipos de baterías distintas. La diferencia principal entre ellas es la ubicación y el funcionamiento del indicador de batería.

En uno de los tipos de batería (que aparece a continuación), el indicador de batería LCD utiliza una pantalla LCD con cinco segmentos. Cada segmento representa

aproximadamente un 20% de la capacidad de la batería. En una batería completamente cargada, cada segmento equivale aproximadamente a media hora de funcionamiento. En esta batería, el indicador de batería LCD está ubicado en el mismo extremo de la batería que la pestaña, por lo que no es necesario realizar ninguna acción para visualizarlo.



En el otro tipo de batería (que aparece a continuación), el indicador de batería LED utiliza una pantalla LED con cuatro segmentos. Cada segmento representa aproximadamente un 25% de la capacidad de la batería. En una batería completamente cargada, cada segmento equivale aproximadamente a 37,5 minutos de funcionamiento. En esta batería, el indicador de batería LED está ubicado en la parte delantera de la batería y el usuario debe presionar el botón circular situado al lado del mismo para saber cuánta batería queda, lo cual se muestra en luces LED de color verde.



En las aplicaciones prácticas reales raramente se descargan completamente las baterías. Que la batería se descargue parcialmente con frecuencia no supone un problema para su batería inteligente, aunque, si esto ocurre repetidamente, podría reducirse la precisión del indicador de batería.

La batería inteligente cuenta con un sistema de control integrado que comprueba la precisión del indicador de batería en base al historial de descargas de la misma. Dicho historial se transmite a través del SMBus y puede ser utilizado por el dispositivo principal para avisar al usuario cuando sea necesario recalibrar el indicador de batería electrónico.

Recalibración

Para recalibrar los componentes electrónicos, debe recargar por completo la batería y a continuación descargarla por completo. En función de su historial de almacenamiento, puede que la batería inteligente tenga que ser recalibrada cuando sea nueva.

Si es necesario recalibrar el indicador de batería, parpadeará el LED de color rojo del cargador de calibración al introducir la batería. Esto informa sobre la precisión del indicador de batería y evita ciclos de calibración innecesarios.

El usuario puede calibrar el indicador y cargar la batería, o solo cargar la batería.

La calibración tarda más que la carga y llevar a cabo el ciclo de calibración podría no ser conveniente.

Para recalibrar el indicador de batería, pulse el botón de la parte frontal del cargador.

Éste empezará a cargar la batería automáticamente si no se pulsa el botón.

El LED de color azul parpadeará para indicar que la batería está siendo recalibrada.

Durante la calibración, el ventilador enfriará las resistencias de descarga. Si se extrae la batería o se vuelve a pulsar el botón de calibración se reiniciará el proceso desde el principio.

Al final de este proceso, el LED de color azul se iluminará de forma constante para indicar que el indicador de batería ha terminado de calibrarse. Los entornos calurosos pueden provocar fallos en la calibración, por lo que debe mantener el cargador alejado de la luz directa del sol y de cualquier fuente de calor.

7. PIEZAS DE RECAMBIO

Para solicitar piezas de recambio, equipamiento adicional u opcional; por favor llame al servicio de atención al cliente al 877-677-2832.

8. REPARACIONES POR EL USUARIO

La lámpara frontal de LED no posee componentes que el usuario pueda reparar. La lámpara solo podrá repararse en fábrica por un personal técnico capacitado.

9. GARANTÍA LIMITADA

El faro LED y la funda de la batería tienen una garantía de tres años desde la fecha de envío en mano de obra y todo defecto de material.

Las baterías y el cargador tienen una garantía de un año a partir de la fecha de envío en mano de obra y todo defecto de material. Si su producto presentara algún defecto, **ST TECHNOLOGIES®** reparará o sustituirá el producto o pieza sin coste. Por favor, contacte con **ST TECHNOLOGIES®** para recibir documentación de autorización de devolución.

Usted debe empacar la unidad cuidadosamente, en una caja de cartón resistente y enviarla a la fábrica. Por favor, incluya una nota que describa los defectos, y escriba su nombre, teléfono y dirección de remitente. La garantía no cubre equipos que hayan sufrido un uso inadecuado, daños por accidentes, desgaste o rotura por el uso normal, ni aquellos equipos que se hayan transferido a otros dueños sin el consentimiento de **ST TECHNOLOGIES**. Esta garantía le concede derechos legales específicos, además de otros derechos que varían de estado a estado.

REPARACIONES DESPUÉS DEL PERÍODO DE GARANTÍA: Usted puede devolver sus productos para que sean reparados, pagando el envío a la fábrica. Su producto será examinado y se le enviará un estimado sobre los costes de reparación para que usted lo apruebe. El pago debe recibirse antes de que se terminen las reparaciones.

- Teléfono: 877 814 22374 (llamada gratuita)
- Servicio de atención al cliente: 904 208 2291

10. FIN DE LA VIDA ÚTIL DEL PRODUCTO

En conformidad con la directiva europea de Residuos de Aparatos Eléctricos y Electrónicos (WEEE), instamos a nuestros clientes a reciclar este producto siempre que sea posible. El desecho de esta unidad debe realizarse en conformidad con la regulación medioambiental local aplicable.

En Estados Unidos podrá encontrar una lista de recicladores de su área en: <http://www.eiae.org/>.

Por favor, contacte con el servicio de atención al cliente para obtener una autorización de devolución del producto al fabricante al final de su vida útil.



11. TABLA DE SÍMBOLOS DE DISPOSITIVOS MÉDICOS

	Etiqueta CE
	Fabricante
	“Representante autorizado en la Unión Europea”
	Proceda con precaución, consulte la documentación adjunta.
	No deseche el producto en sitios de basuras comunales, recíclelo.