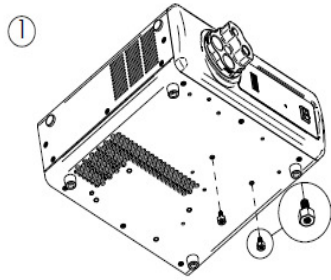
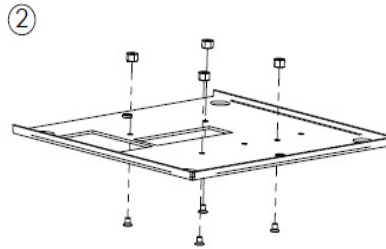


MOUNTING UNIT TO FLOORSTAND

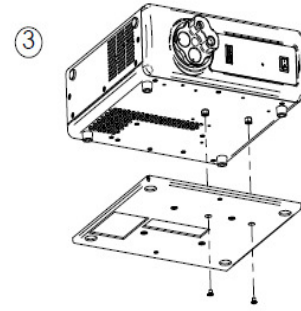
LED-3000/4000



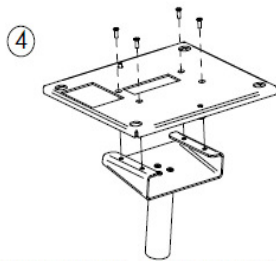
FASTEN STANDOFFS TO BOTTOM OF LIGHT SOURCE



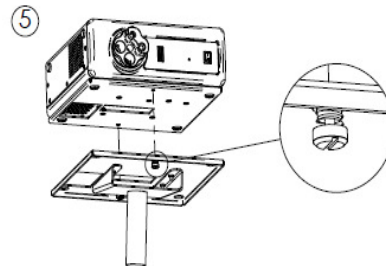
FASTEN (4) STANDOFFS TO PLATE USING (4) 10-32 X 1/4 INCH LENGTH FLAT HEAD SCREWS



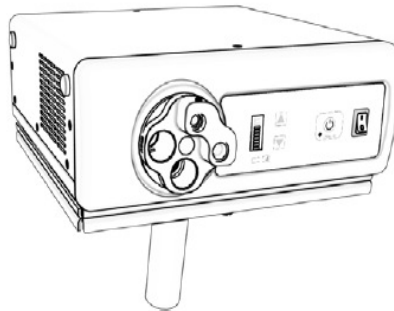
FASTEN PLATE TO BOTTOM OF LIGHT SOURCE USING (2) 10-32 X 1/4 INCH LENGTH FLAT HEAD SCREWS



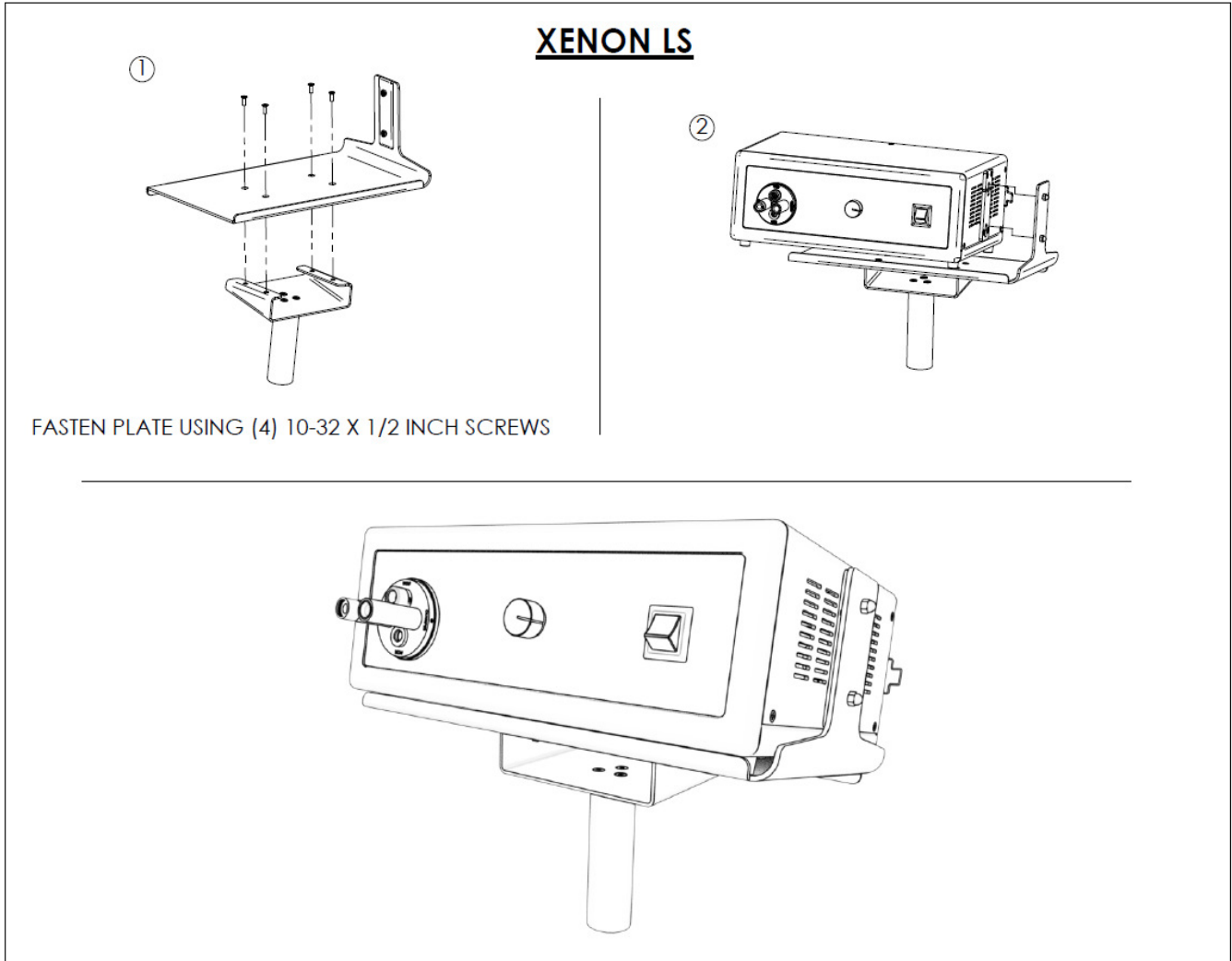
FASTEN CAPTIVE SCREW PLATE TO FLOORSTAND USING (4) FLAT 10-32 X 1/2 INCH LENGTH SCREWS



FASTEN LIGHT SOURCE USING CAPTIVE SCREWS



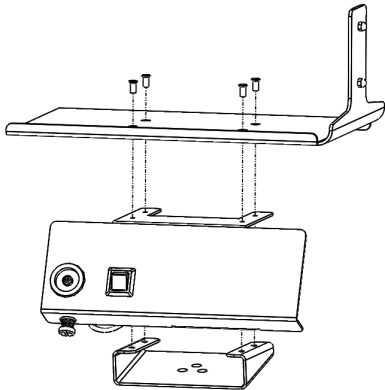
MOUNTING UNIT TO FLOORSTAND



MOUNTING UNIT TO FLOORSTAND

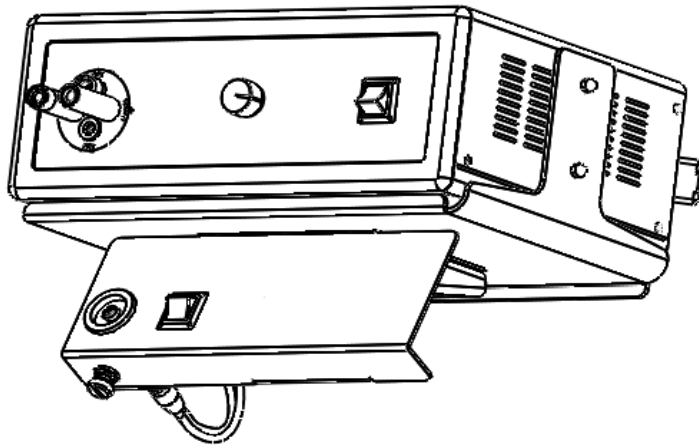
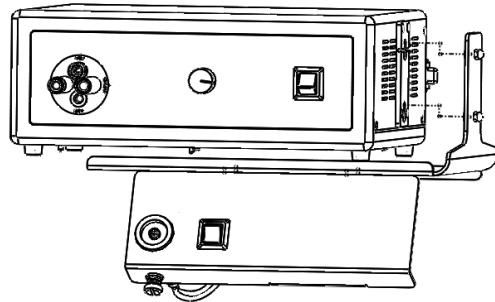
XENON LS WITH SD CAMERA

1

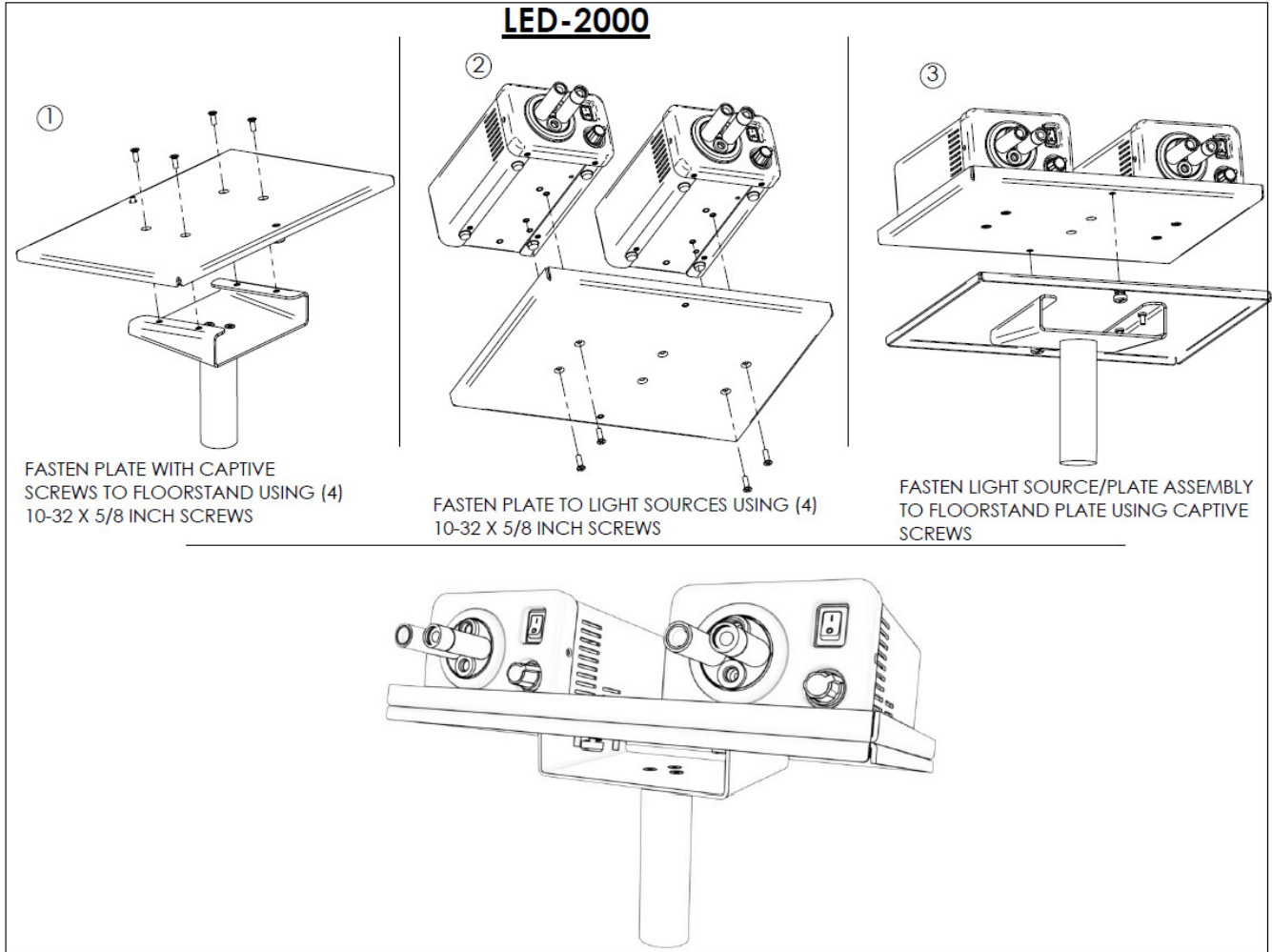


FASTEN PLATE AND SANDWICH
CAMERA MOUNT WITH (4) 10-32 X 1/2
INCH SCREWS

2



MOUNTING UNIT TO FLOORSTAND



MOUNTING UNIT TO FLOORSTAND

Elite 1000

